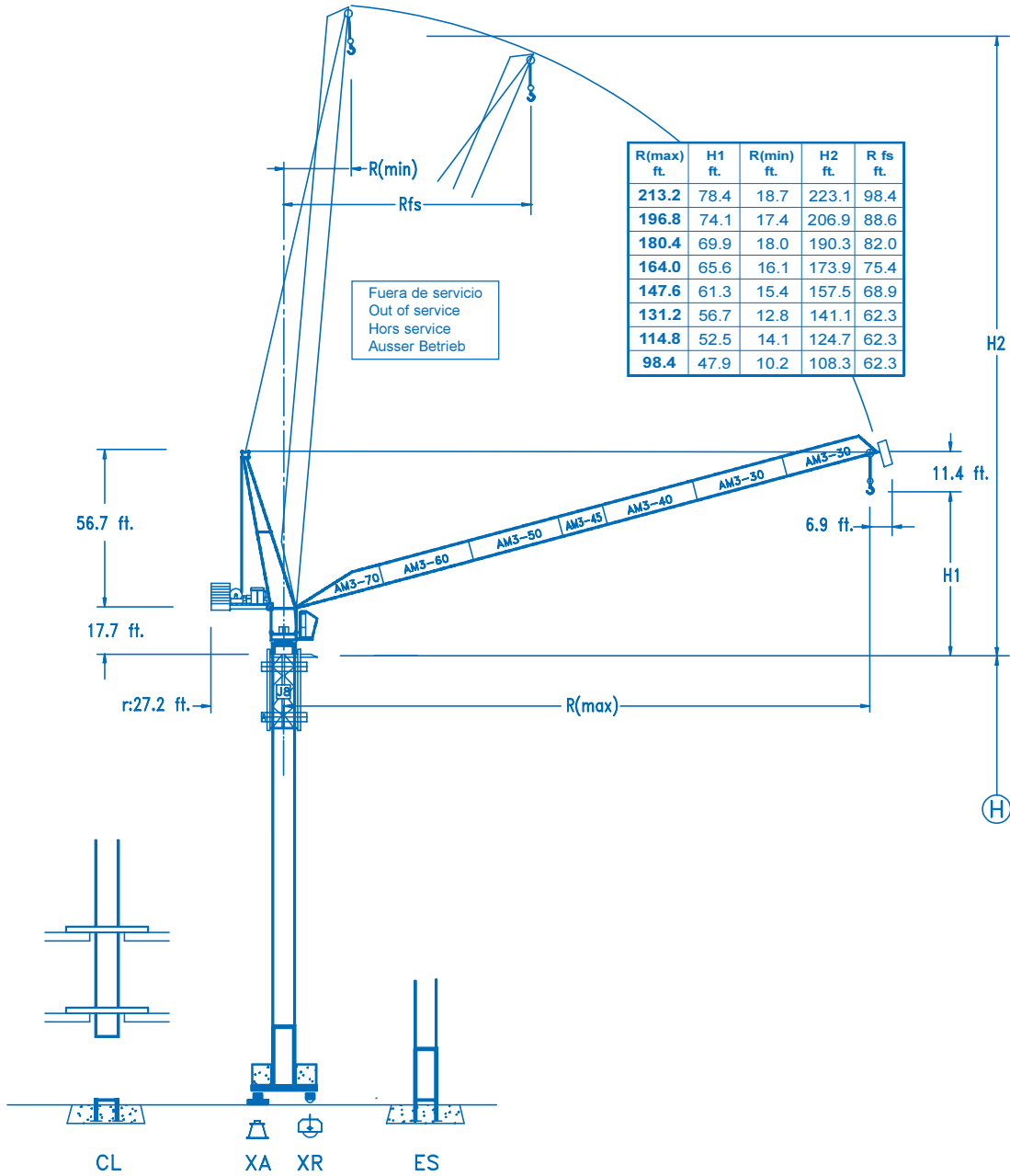


LCL

LCL-500

52,900 lbs.

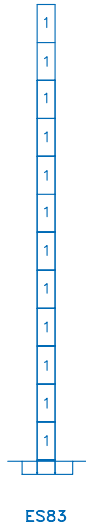
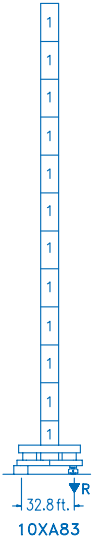
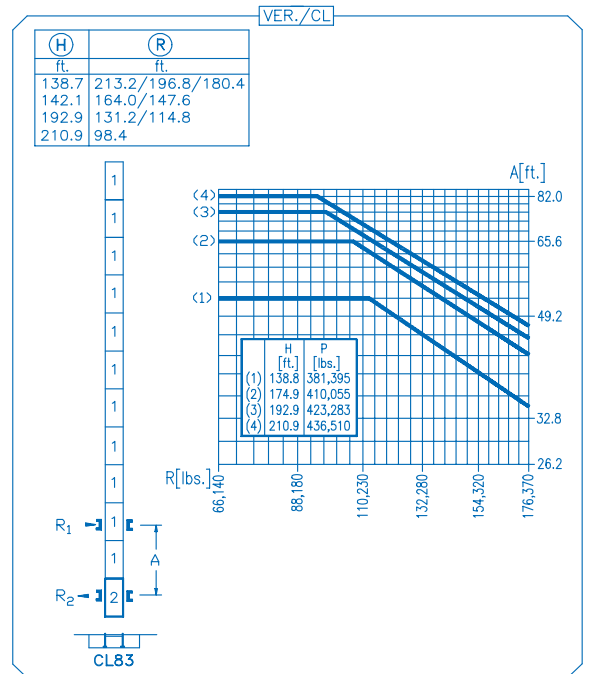


R	54.1	65.6	68.8	72.1	75.4	78.7	91.8	98.4	109.9	114.8	124.6	131.2	132.8	141.0	147.6	164.0	180.4	196.8	213.2
213.2		26,450	26,450	26,450	26,450	26,450	26,450	24,600	21,820	20,810	19,000	17,960	17,720	16,570	15,760	13,990	12,560	11,350	10,360
196.8		26,450	26,450	26,450	26,450	26,450	26,450	26,450	26,450	24,890	22,840	21,640	21,600	20,060	19,130	17,100	15,450	14,100	
180.4		52,900	43,250	41,090	39,130	37,340	35,710	30,330	28,170	25,040	23,870	21,840	20,670	20,390	19,110	18,170	16,180	14,570	13,220
164.0		26,450	26,450	26,450	26,450	26,450	26,450	26,450	26,450	26,450	26,450	26,450	26,450	25,280	23,830	20,720			
147.6		52,900	52,900	52,900	52,900	50,130	47,640	39,610	36,500	32,030	30,420	27,600	25,970	25,570	23,830	22,550	19,840		
131.2		26,450	26,450	26,450	26,450	26,450	26,450	26,450	26,450	26,450	26,450	26,450	26,450	26,450	26,450	25,130			
114.8		52,900	52,900	52,900	52,900	52,900	50,460	42,540	39,440	34,890	33,240	30,330	28,660						
98.4		26,450	26,450	26,450	26,450	26,450	26,450	26,450	26,450	26,450	26,450	26,450	26,450						

CE
DIN 15018 H1 B3

(H)	(R)
ft.	ft.
151.9	213.2/196.8/180.4
187.9	164.0/147.6
206.0	131.2/114.8
224.1	98.4

(H)	(R)
ft.	ft.
138.7	213.2/196.8/180.4
142.1	164.0/147.6
192.9	131.2/114.8
216.5	98.4



N	Ref.	h
1	D36	8.2
2	CLD36	8.2

R. máx.	En servicio In operation En service In Betrieb	10XA83 ... 326,280 lbs.
----------------	---	--------------------------------

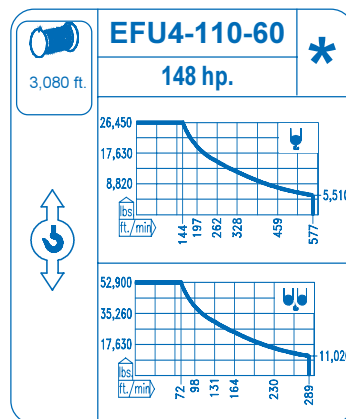
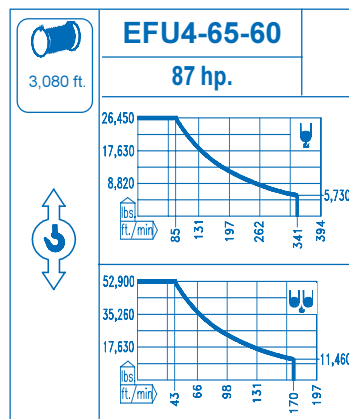
R. máx.	Fuera de servicio Out of service Hors service Ausser Betrieb	10XA83 460,080 lbs.
----------------	---	---------------------------------

AFU2-110-45
148 hp.

2 min

GR-12
4 x 88 ft.lbs.

0 ⇄ 0,7 rpm



Tensión de alimentación Operating voltage Tension de service Betriebsspannung	480 V 3 ph 60 Hz
--	---

Opcional Optional En option Kaufoption	*
---	----------